

## HBL2821 -- Twist-Lock Plug



4P5W, 30A 3PH 277/480V AC, L22-30P, Black & White Nylon

### Product Specifications

#### Product Type



Twist-Lock  
Devices

|                                   |                          |
|-----------------------------------|--------------------------|
| <b>Product Item</b>               | Plug                     |
| <b>Wiring Scheme</b>              | 4 Pole, 5 Wire Grounding |
| <b>Amperage</b>                   | 30A                      |
| <b>Voltage</b>                    | 3 Phase Y 277/480V AC    |
| <b>NEMA Configuration</b>         | L22-30P                  |
| <b>Item Style</b>                 | Insulgrip                |
| <b>Device Color</b>               | Black/White              |
| <b>Horsepower</b>                 | 10                       |
| <b>Cord Dia.</b>                  | .35"-1.15" (9-29)        |
| <b>Blade Holder Material</b>      | Natural White Nylon      |
| <b>Terminal Retainer Material</b> | Clear polycarbonate      |
| <b>Housing Material</b>           | Black nylon              |
| <b>Cord Clamp Material</b>        | Natural (white) nylon    |

|                                     |  |
|-------------------------------------|--|
| <b>Blade Material</b>               | Brass  |
| <b>Terminal Clamp Material</b>      | .08" (2) steel-nickel plated   |
| <b>Terminal Screw Material</b>      | #10-32 Brass (white finish on neutral screw when used) Multi-drive   |
| <b>Ground Screw Material</b>        | #10-32 Brass (green finish) Multi-drive  |
| <b>Cord Clamp Screw Material</b>    | Steel, zinc plated Multi-drive   |
| <b>Body Holding Screw Material</b>  | Steel, zinc plated Multi-drive   |
| <b>Ratings</b>                      | Molded into face.  |
| <b>Catalog No.</b>                  | Permanently ink marked on body.  |
| <b>Dielectric Voltage Withstand</b> | 2,000V minimum   |
| <b>Current Interrupting</b>         | Certified for current interrupting at full rated current.  |
| <b>Temperature Rise</b>             | Max 30 C temperature rise at full rated current after 50 cycles of overload at 150% of rated current at a power factor of .75. |
| <b>Cord Accommodation</b>           | Round portable service cords of diameters commensurate with the device rating as defined in UL Standard 62, CSA C22.2 No. 49.  |
| <b>Terminal Accommodation</b>       | 30A #10 AWG  |
| <b>Terminal Identification</b>      | Terminals identified in accordance with UL 498 (X, Y, Z, White, Green)   |
| <b>Flammability</b>                 | HB or better per UL 94 or CSA 22.2 No. 0.6   |
| <b>Operating Temperatures</b>       | Maximum Continuous 75 C Minimum -40 C (w/o impact)   |
| <b>Moisture Resistance</b>          | IP20   |
| <b>Listings</b>                     | FED SPEC UL/CSA  |
| <b>Catalog Page</b>                 | <a href="#">Click here for catalog page B54</a>  |
| <b>Brochures</b>                    | <a href="#">Click here for product brochure</a>  |
| <b>Hubbellnet</b>                   | <a href="#">Click here for Hubbellnet</a>  |
| <b>Catalog Section</b>              | <a href="#">Click here for Section-B</a>   |
| <b>UPC Number</b>                   | 78358503969  |
| <b>Weight in LBs</b>                | 0.35   |



NEMA L22-30P  
**30A 3ØV**  
**277/480V AC**  
UL/CSA  
1Ø HP

NEMA  
Configuration

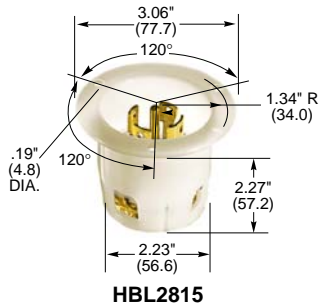
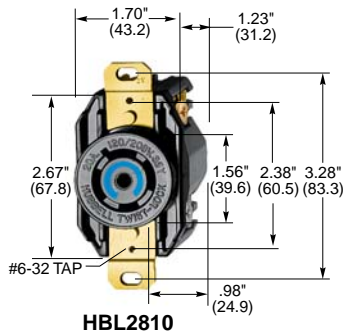


## TWIST-LOCK® Devices

### 4 Pole, 5 Wire Grounding

30 Ampere, 3Ø Y 120/208, 277/480 and 347/600 Volts AC

Receptacles, INSULGRIP® Connector Bodies, Flanged Devices and Plugs



NEMA L21-30R  
30A 3ØY  
120/208V AC  
UL/CSA  
3 HP



NEMA L22-30R  
30A 3ØY  
277/480V AC  
UL/CSA  
10 HP



NEMA L23-30R  
30A 3ØY  
347/600V AC  
UL/CSA

### Single Flush Receptacles, Back and Side Wired

| Description                         | Catalog Numbers |                |                |
|-------------------------------------|-----------------|----------------|----------------|
| Black nylon face.                   | <b>HBL2810</b>  | <b>HBL2820</b> | <b>HBL2830</b> |
| Isolated ground, orange nylon face. | <b>IG2810</b>   | -              | -              |

### Insulgrip Connector Bodies IP20 SUITABILITY

| Description                        | Catalog Numbers  |                |                |
|------------------------------------|------------------|----------------|----------------|
| Black and white nylon.             | <b>HBL2813</b>   | <b>HBL2823</b> | <b>HBL2833</b> |
| Corrosion resistant, yellow nylon. | <b>HBL28CM13</b> | -              | -              |

Note: Cord grip range .35"-1.15" (9-29).

### Insulgrip Flanged Receptacles

| Description               | Catalog Numbers |                |                |
|---------------------------|-----------------|----------------|----------------|
| Nylon casing, back wired. | <b>HBL2816</b>  | <b>HBL2826</b> | <b>HBL2836</b> |



NEMA L21-30P  
30A 3ØY  
120/208V AC  
UL/CSA  
3 HP



NEMA L22-30P  
30A 3ØY  
277/480V AC  
UL/CSA  
10 HP



NEMA L23-30P  
30A 3ØY  
347/600V AC  
UL/CSA

### Insulgrip Plugs IP20 SUITABILITY

| Description                        | Catalog Numbers  |                |                |
|------------------------------------|------------------|----------------|----------------|
| Black and white nylon.             | <b>HBL2811</b>   | <b>HBL2821</b> | <b>HBL2831</b> |
| Corrosion resistant, yellow nylon. | <b>HBL28CM11</b> | -              | -              |

Notes: Grip range .35"-1.15" (9-29).

See page B-73 for Add-A-Shroud™ kit.

### Insulgrip Flanged Inlets

| Description               | Catalog Numbers |                |                |
|---------------------------|-----------------|----------------|----------------|
| Nylon casing, back wired. | <b>HBL2815</b>  | <b>HBL2825</b> | <b>HBL2835</b> |

Notes: Only receptacles and plugs 480V AC or less are HP rated.

HP rating are AC only.

See pages B-70 and B-71 for accessories.

For technical information see page B-83.

See page B-63 for a switched enclosure.